

STARLIGHT

DESIGN MASSIMO CASTAGNA

Certified product:



STRUCTURE

Dimmable pendant energy saving led lamp (Energy efficiency index A) with Y-shaped central body sandcasting brass, sandcasting bronze or sandcasting Silver. Lighting body in burnished brass, black burnished brass, H-Silver. Low voltage power supply cable inside the support pipe. Transformer incorporated in the ceiling rosette (cm 22x6h). Standard overall height 100 cm. Can be customized. Available extra warm light 2700K (without extra costs). Dimmable push button. Other dimming systems available upon request. Only for indoor use.

HENGE

TECHNICAL DATA

STARLIGHT

Cm 173x110x100h with downward pointing led - 3000K

Cm 175x85x100h with downward pointing led - 3000K

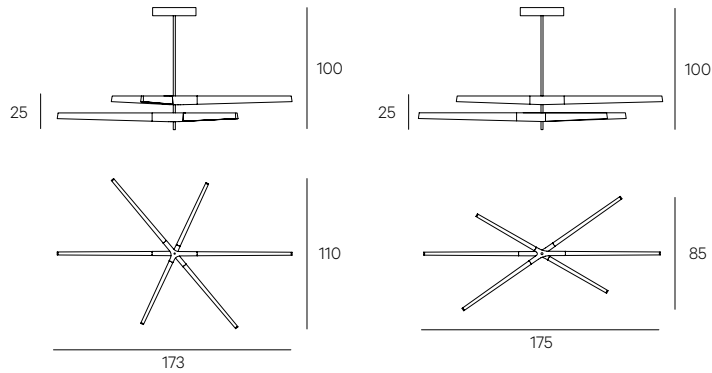
STARLIGHT MAXI

Cm 245x107x90h with downward pointing led - 3000K

Cm 283x169x90h with downward pointing led - 3000K

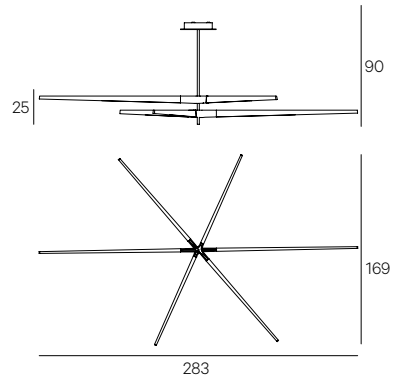
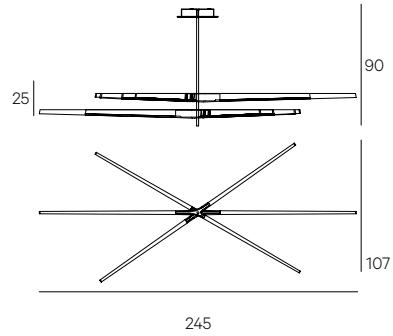
TECHNICAL DRAWINGS

Starlight



TECHNICAL DRAWINGS

Starlight Maxi



CARE AND MAINTENANCE OF METALS

Avoid leaving household liquids (oil, red wine, vinegar, etc.) on the surface. In particular, products that contain citric acid (present for example in fruit, citrus fruit and tomatoes) act on contact with the treated surface, removing its original sheen. Always clean stains while they are still fresh. For routine maintenance use a microfiber cloth and water. Do not use products containing acids, limescale removing substances or alcohol.