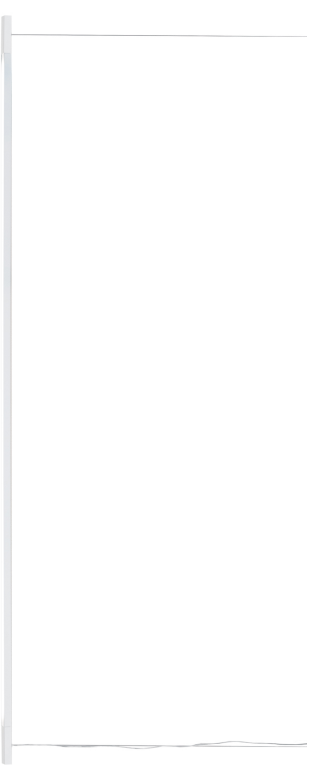


LINESCAPES PENDANT HORIZONTAL



Vielseitige lineare Familie aus Steh-, Wand-, Pendel- und

Deckenleuchte mit hoherlichttausbeute in verschiedenen Längen.

Struktur aus Aluminium, Diffusor aus matt weißem Polycarbonat.

Wand- und Deckenversion nur in der Einbauversion lieferbar.

Ausführung in weiß oder schwarz mit graulackierten Details bei den

Steh- und Wandvarianten.

L130 - 2700K

LAMPING

Source
Total power
Emission
Switching
Tension
Color temperature
Luminous flux
Typ cri
Energy class
Materials
Notes

linear LED
19W
diffused orientable 360°
dimmable 1-10V
110/240V
2700K
1125lm
80
A+
Aluminium + PC + ABS
metal cable length 3m, electric cable length max 3m,
orientable 360°, DALI version on request

Codes
LIN LW2 5D
LIN LN2 5D

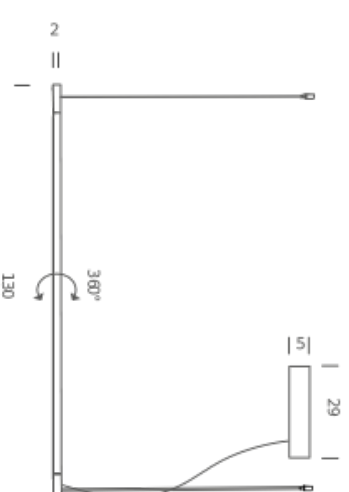
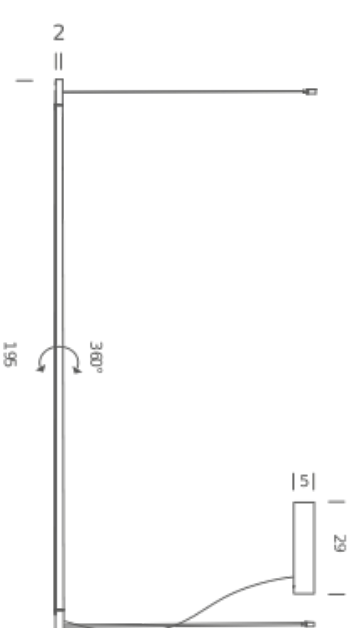
Structure
white
black

PACKAGE

Package 01
Package 02

Dimension: 65x18x23 cm / Gross weight: 2,5 kg
Dimension: 110x5x5 cm / Gross weight: 1 kg

Certificazioni



L130 - 3000K

LAMPING

Source
Total power
Emission
Switching
Tension
Color temperature
Luminous flux
Typ cri
Energy class
Materials
Notes

linear LED
19W
diffused orientable 360°
dimmable 1-10V
110/240V
3000K
1125lm
80
A+
Aluminium + PC + ABS
metal cable length 3m, electric cable length max 3m,
orientable 360°, DALI version on request

Codes
LIN LWW 5D
LIN LNN 5D

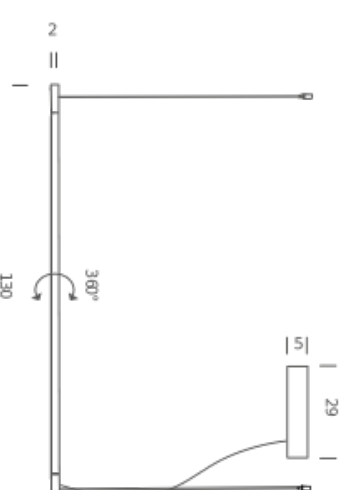
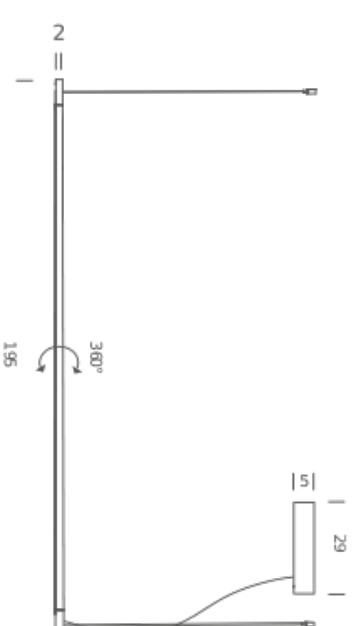
Structure
white
black

PACKAGE

Package 01
Package 02

Dimension: 65x18x23 cm / Gross weight: 2,5 kg
Dimension: 110x5x5 cm / Gross weight: 1 kg

Certificazioni



L200 - 2700K

LAMPING

Source
Total power
Emission
Switching
Tension
Color temperature
Luminous flux
Typ cri
Energy class
Materials
Notes

linear LED
33W
diffused orientable 360°
dimmable 1-10V
110/240V
2700K
1765lm
80
A+
Aluminium + PC + ABS
metal cable length 3m, electric cable length max 3m,
orientable 360°, DALI version on request

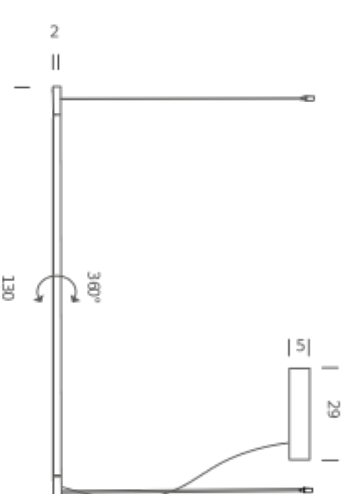
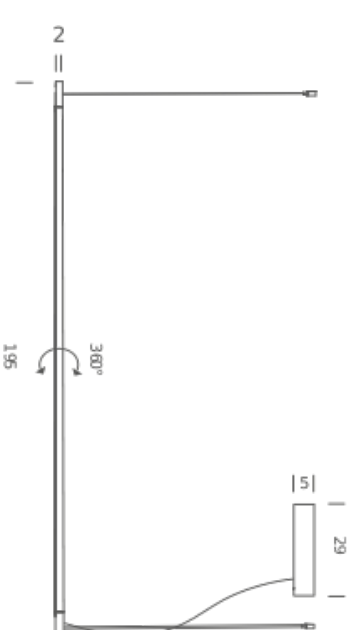
Codes
LIN LW2 5E
LIN LN2 5E

Structure
white
black

PACKAGE
Package 01
Package 02

Dimension: 65x18x23 cm / Gross weight: 2,5 kg
Dimension: 175x5x5 cm / Gross weight: 1 kg

Certificazioni



L200 - 3000K

LAMPING

Source	linear LED
Total power	33W
Emission	diffused orientable 360°
Switching	dimmable 1-10V
Tension	110/240V
Color temperature	3000K
Luminous flux	1765lm
Typ cri	80
Energy class	A+
Materials	Aluminium + PC + ABS
Notes	metal cable length 3m, electric cable length max 3m, orientable 360°, DALI version on request

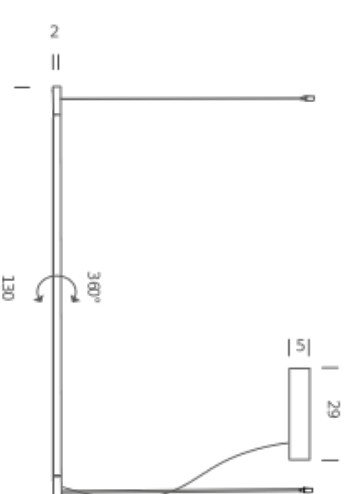
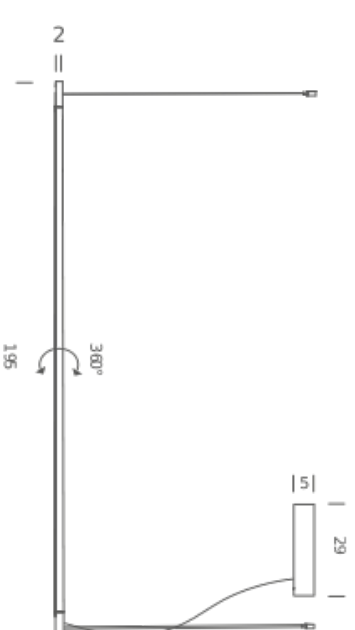
Codes
LIN LWW 5E
LIN LNN 5E

Structure
white
black

PACKAGE
Package 01
Package 02

Dimension: 65x18x23 cm / Gross weight: 2,5 kg
Dimension: 175x5x5 cm / Gross weight: 1 kg

Certificazioni



LINESCAPES PENDANT VERTICAL

Vielseitige lineare Familie aus Steh-, Wand-, Pendel- und

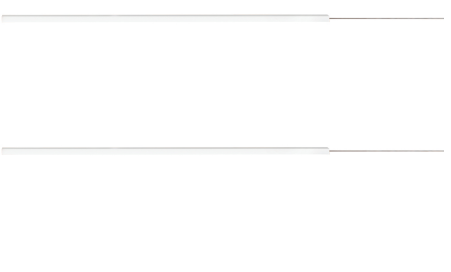
Deckenleuchte mit hoher Lichtausbeute in verschiedenen Längen.

Struktur aus Aluminium, Diffusor aus matt weißem Polycarbonat.

Wand- und Deckenversion nur in der Einbauversion lieferbar.

Ausführung in weiß oder schwarz mit graulackierten Details bei den

Steh- und Wandvarianten.



LED 2700K

LAMPING

Source	linear LED
Total power	12W
Emission	diffused orientable
Tension	110/240V
Color temperature	2700K
Luminous flux	475lm
Typ cri	80
Energy class	A+
Materials	Aluminium + PC + ABS
Notes	cable length max 3m, orientable 360°, side emission

Codes
LIN LW2 59

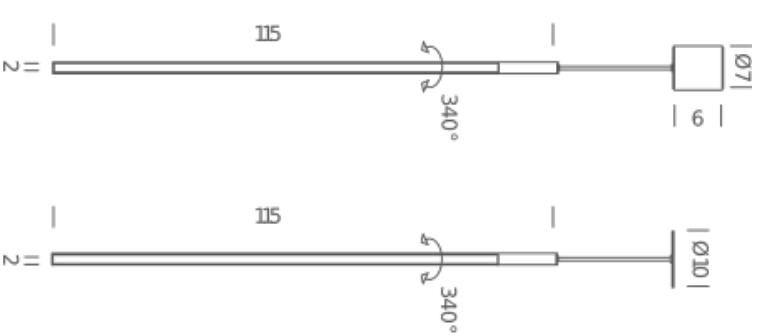
PACKAGE
Package 01

Structure/Diffuser
white/white

Dimension: 15x20x130 cm / Gross weight: 2,7kg

Certificazioni

CE ENEC



LED 3000K

LAMPING

Source	linear LED
Total power	12W
Emission	diffused orientable
Tension	110/240V
Color temperature	3000K
Luminous flux	475lm
Typ cri	80
Energy class	A+
Materials	Aluminium + PC + ABS
Notes	cable length max 3m, orientable 360°, side emission

Codes
LIN LWW 59

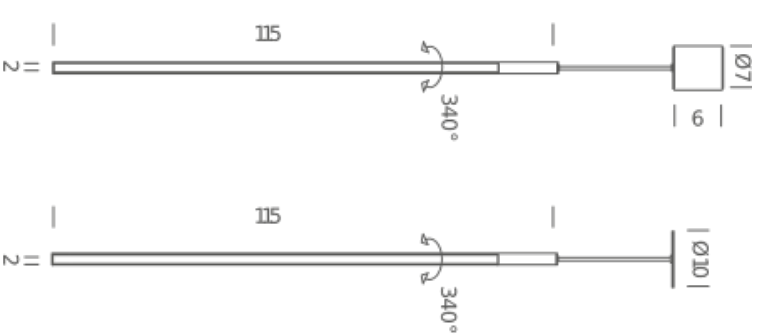
PACKAGE
Package 01

Structure/Diffuser
white/white

Dimension: 15x20x130 cm / Gross weight: 2,7kg

Certificazioni

CE ENEC



LED RECESSED 2700K

LAMPING

Source	linear LED
Total power	19W
Emission	diffused orientable
Switching	dimmable 1-10V
Tension	110/240V
Color temperature	2700K
Luminous flux	1125lm
Typ cri	80
Energy class	A+
Materials	Aluminium + PC + ABS
Notes	cable length max 3m, orientable 360°, recessed hole Ø8xHmin 4cm, side emission, DALI version on request

Codes

LIN LW2 5A

PACKAGE

Package 01

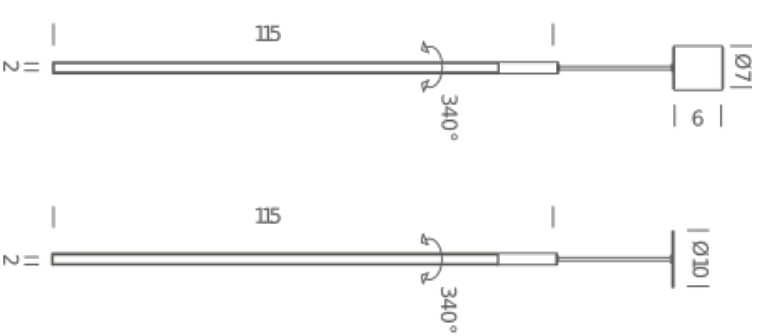
Dimension: 15x20x130 cm / Gross weight: 2,7 kg

Structure/Diffuser

white/white

Certificazioni

CE ENEC



LED RECESSED 3000K

LAMPING

Source	linear LED
Total power	19W
Emission	diffused orientable
Switching	dimmable 1-10V
Tension	110/240V
Color temperature	3000K
Luminous flux	1125lm
Typ cri	80
Energy class	A+
Materials	Aluminium + PC + ABS
Notes	cable length max 3m, orientable 360°, recessed hole Ø8xHmin 4cm, side emission, DALI version on request

Codes

LIN LWW 5A

PACKAGE

Package 01

Dimension: 15x20x130 cm / Gross weight: 2,7 kg

Structure/Diffuser

white/white

Certificazioni

CE ENEC

