



## Description

The Planets collection is based on period lights and reflects the daily needs not only of customers but of architects and designers too. Thanks to a simple physical principle, the lights can be variably positioned in diverse arrangements. The use of weights and pulleys makes it possible to quickly adjust the height of the lights, a unique system that allows for several groupings to serve as individual sources of light in an interior, or as multiples of three different (or same) shapes to illuminate larger spaces.



## Tech. description

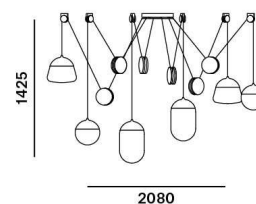
The light is hung from a central metal ceiling canopy, which houses the electronics and anchors the wire ropes integrated into the power cables leading to each light. The individual lights are hung from the ceiling by means of pulleys and balanced with counterweights. The system allows variable vertical positioning of each light independently. Each light comprises a power cable, metal cover, LED module, and a glass shade.

Colours options: [https://brokis.sharepoint.com/:b:/s/brokis\\_sp/EQ5\\_eQkVM81EgolpfQeDyxgB9P5pbWTTUM5ef8YFuJpMp](https://brokis.sharepoint.com/:b:/s/brokis_sp/EQ5_eQkVM81EgolpfQeDyxgB9P5pbWTTUM5ef8YFuJpMp)

## CONSTRUCTION SPECIFICATION

<b>Weight:</b>	59,6 kg
<b>Construction material:</b>	glass, metal
<b>Cord length [mm]:</b>	individual
<b>Mounting:</b>	Ceiling
<b>Environment:</b>	Indoor

## DIMENSIONS [mm]



## ELECTRICAL SPECIFICATION

<b>Input voltage [V]:</b>	110 - 240 V
<b>Frequency [Hz]:</b>	50-60 Hz
<b>Max. power [W]:</b>	75 W
<b>Coverage IP:</b>	20
<b>Socket:</b>	-
<b>Light source:</b>	LED module
<b>Energy class:</b>	A+

## CERTIFICATIONS



# DATASHEET

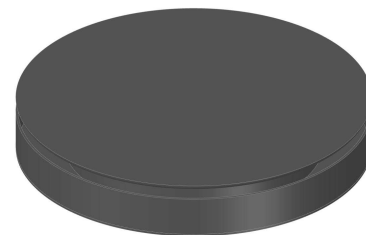
## RECOMENDED CANOPY



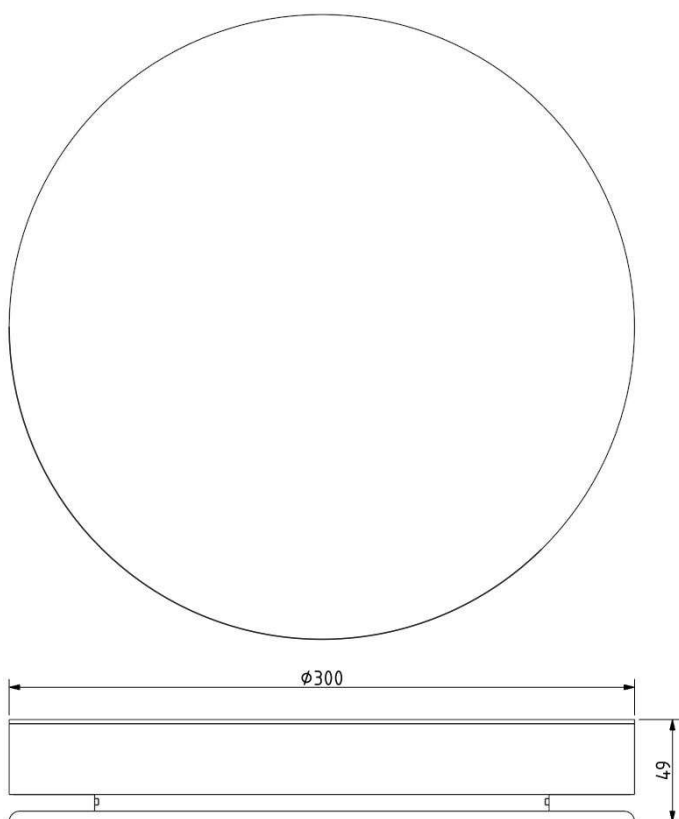
Download

### CEILING CANOPY

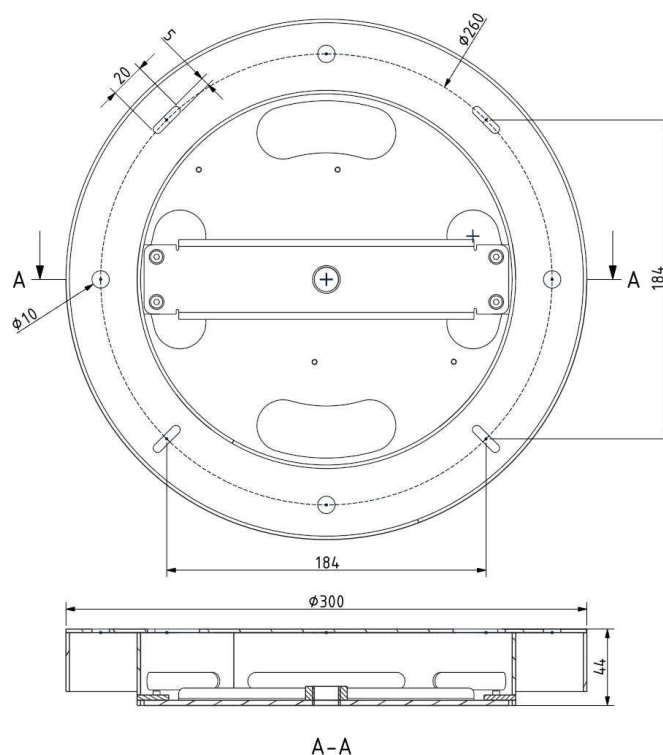
Dimensions O x w [mm] 300 x 49 mm  
Weight [kg] 4,6  
Material metal



### Drawing



### Canopy bracket



BROKIS S.R.O.  
ŠPANILOVA 1315/25  
163 00 PRAHA 6 - ŘEPY  
CZECH REPUBLIC

ORG ID 64940799  
VAT ID CZ64940799  
C 42174 MĚSTSKÝ SOUD  
V PRAZE

TEL +420 567 211 517  
TECHNICAL@BROKIS.CZ  
INFO@BROKIS.CZ  
WWW.BROKIS.CZ

2020\_11  
PAGE 2