

DATASHEET

Type: **SHADOWS**
Name: Pendant light
ID: PC1162
Designed by: Lucie Koldová & Dan Yeffet



Download

Description

The new Shadows Exterior collection is IP54 compliant for outdoor use: the hand-crafted wooden body of the interior lights has been replaced with a weather-resistant dural body. Special integrated connectors developed by Brokis make it easier to install, maintain, and clean the lights.

Tech. description

The light comprises a glass shade, dural body with Brokis connector housing a GZ10 socket, and a silicone power cord with Brokis connector. The entire assembly is IP54 compliant. The light is suspended from a ceiling canopy.

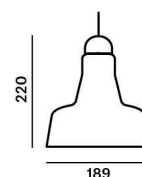


Colours options: https://brokis.sharepoint.com/:b:/s/brokis_sp/Ed1K5BJxDdbdGkjbrx2MiS4EBrWJ5AhzXHygQe17p7Xz-LA

CONSTRUCTION SPECIFICATION

Weight: 1,5kg
Construction material: glass, metal
Cord length [mm]: 2,000 mm
Mounting: Ceiling
Environment: Outdoor

DIMENSIONS [mm]



ELECTRICAL SPECIFICATION

Input voltage [V]: 230 V
Frequency [Hz]: 50-60 Hz
Max. power [W]: 10 W
Coverage IP: 54
Socket: GZ10
Light source: -
Energy class: A+ to B depending on light source

CERTIFICATIONS



BROKIS S.R.O.
ŠPANILOVA 1315/25
163 00 PRAHA 6 - ŘEPY
CZECH REPUBLIC

ORG ID 64940799
VAT ID CZ64940799
C 42174 MĚSTSKÝ SOUD
V PRAZE

TEL +420 567 211 517
TECHNICAL@BROKIS.CZ
INFO@BROKIS.CZ
WWW.BROKIS.CZ

2022_01
PAGE 1

DATASHEET

RECOMMENDED BULBS



Download



CM9963

Socket	GU10
Type	LED
Lamp wattage [W]	6,5 W
Input voltage [V]	220 - 240 VAC
Energy class	A+
Flux [lm]	336 lm
Light colour [K]	2700 K
CRI	90+
Lifespan [h]	25000h
Dimmable	yes
Dimensions h x w [mm]	55 x 50 mm



BROKIS®

BROKIS S.R.O.
ŠPANILOVA 1315/25
163 00 PRAHA 6 - ŘEPY
CZECH REPUBLIC

ORG ID 64940799
VAT ID CZ64940799
C 42174 MĚSTSKÝ SOUD
V PRAZE

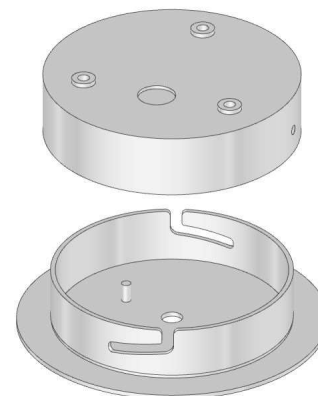
TEL +420 567 211 517
TECHNICAL@BROKIS.CZ
INFO@BROKIS.CZ
WWW.BROKIS.CZ

2022_01
PAGE 2



INNER FIXTURE

Dimensions O x w [mm] 130 x 34 mm
Weight [kg] 0,6 kg
Material stainless steel



Drawing

Hole placement

