

Demetra Professional Wall - Body Grey



DESIGN:

Naoto Fukasawa

MATERIAL:

Aluminium, technopolymer

BESCHREIBUNG:

The Demetra family is expanded with two new versions to meet varying usage requirements: Demetra Micro and Demetra Professional. While flow emission varies in Demetra Professional, its size is identical to the classical version. It was designed to address the need for a task light with greater flows allowing to obtain high illuminance on the working top. With the advanced LED technology and the adoption of smart elementary solutions, maximum performance is ensured in a minimal product. Its look is the typical essential and linear one of Demetra, but its head is a more complex optical device, designed for more powerful LEDs also through painstaking study of thermal science. The aluminium bottom of the head's body works as a heatsink by taking shape and folding inside the head to accommodate the LED, however without contact and therefore without creating a heat bridge with the top. This allows maximum dissipation, and therefore the use of a high-power COB LED, without affecting its functionality deriving from operation and from direct user relation with the lamp. The top of its head can be safely touched without contact with high temperatures. Emission is controlled by a reflector that slightly protrudes from the head's profile and designs perfect illuminance on the top to create a work station with a high colour yield (Cri 90). The Demetra family becomes more complete to satisfy all the needs of different application fields with flexible and comprehensive solutions, as well as with specific and dedicated ones.

AUSWAHL

LED

Grey

ARTIKELNUMMER

1739010A

Lichtverteilung

IP20

Dimmable

TECHNISCHES DATENBLATT

FUNKTIONEN

Produktname: Demetra Professional Wall - Body Grey
 Artikelnummer: 1739010A
 Farbe: Grey
 Material: Aluminium, technopolymer
 Serie: Design
 Anwendungsbereich: Innenbeleuchtung

OPTIK

Lichtverteilung: Direct

DIMENSION

Breite: cm 63.5
 Höhe: cm 63.7
 Durchmesser Fuß: cm 13
 Glühdrahttest: 750 °

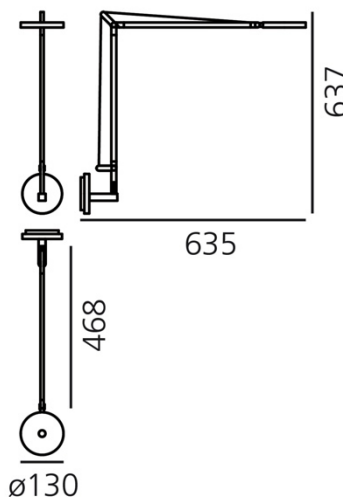
INKLUSIVE LEUCHTMITTEL

Kategorie: LED COB
 Anzahl: 1
 Watt: 12 W
 Farbtemperatur(K): 3000 K
 Baureihe: A

LUMINAIR

Watt: 12W
 Lichtstrom(lm): 960lm
 CCT: 3000K
 Efficiency: 84%

DIMENSION



FARBE



Efficacy:	80.00lm/W
CRI:	90
Dimmer Typology:	Microswitch Dimmer

ZUBEHÖR



DEMETRA SUPPORTO W GRO
1742010A

Demetra Professional Wall - Body Polished black



DESIGN:

Naoto Fukasawa

MATERIAL:

Aluminium, technopolymer

BESCHREIBUNG:

The Demetra family is expanded with two new versions to meet varying usage requirements: Demetra Micro and Demetra Professional. While flow emission varies in Demetra Professional, its size is identical to the classical version. It was designed to address the need for a task light with greater flows allowing to obtain high illuminance on the working top. With the advanced LED technology and the adoption of smart elementary solutions, maximum performance is ensured in a minimal product. Its look is the typical essential and linear one of Demetra, but its head is a more complex optical device, designed for more powerful LEDs also through painstaking study of thermal science. The aluminium bottom of the head's body works as a heatsink by taking shape and folding inside the head to accommodate the LED, however without contact and therefore without creating a heat bridge with the top. This allows maximum dissipation, and therefore the use of a high-power COB LED, without affecting its functionality deriving from operation and from direct user relation with the lamp. The top of its head can be safely touched without contact with high temperatures. Emission is controlled by a reflector that slightly protrudes from the head's profile and designs perfect illuminance on the top to create a work station with a high colour yield (Cri 90). The Demetra family becomes more complete to satisfy all the needs of different application fields with flexible and comprehensive solutions, as well as with specific and dedicated ones.

AUSWAHL

LED

Polished black

ARTIKELNUMMER

1739040A

Lichtverteilung

IP20

Dimmable

TECHNISCHES DATENBLATT

FUNKTIONEN

Produktname: Demetra Professional Wall - Body Polished black
 Artikelnummer: 1739040A
 Farbe: Polished black
 Material: Aluminium, technopolymer
 Serie: Design
 Anwendungsbereich: Innenbeleuchtung

OPTIK

Lichtverteilung: Direct

DIMENSION

Breite: cm 63.5
 Höhe: cm 63.7
 Durchmesser Fuß: cm 13
 Glühdrahttest: 750 °

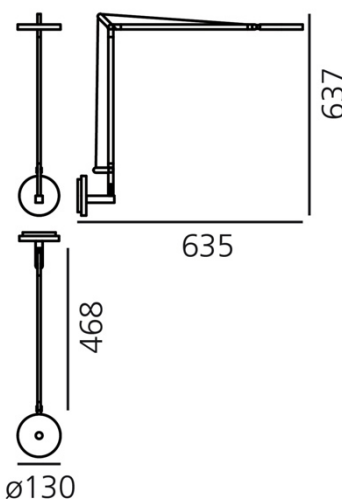
INKLUSIVE LEUCHTMITTEL

Kategorie: LED COB
 Anzahl: 1
 Watt: 12 W
 Farbtemperatur(K): 3000 K
 Baureihe: A

LUMINAIR

Watt: 12 W
 Lichtstrom(lm): 960 lm
 CCT: 3000 K
 Efficiency: 84 %

DIMENSION



FARBE



Efficacy:	80 lm/W
CRI:	90
Dimmer Typology:	Microswitch Dimmer

ZUBEHÖR



Demetra Supporto W NRO
1742040A

Demetra Professional Wall - Body White



DESIGN:

Naoto Fukasawa

MATERIAL:

Aluminium, technopolymer

BESCHREIBUNG:

The Demetra family is expanded with two new versions to meet varying usage requirements: Demetra Micro and Demetra Professional. While flow emission varies in Demetra Professional, its size is identical to the classical version. It was designed to address the need for a task light with greater flows allowing to obtain high illuminance on the working top. With the advanced LED technology and the adoption of smart elementary solutions, maximum performance is ensured in a minimal product. Its look is the typical essential and linear one of Demetra, but its head is a more complex optical device, designed for more powerful LEDs also through painstaking study of thermal science. The aluminium bottom of the head's body works as a heatsink by taking shape and folding inside the head to accommodate the LED, however without contact and therefore without creating a heat bridge with the top. This allows maximum dissipation, and therefore the use of a high-power COB LED, without affecting its functionality deriving from operation and from direct user relation with the lamp. The top of its head can be safely touched without contact with high temperatures. Emission is controlled by a reflector that slightly protrudes from the head's profile and designs perfect illuminance on the top to create a work station with a high colour yield (Cri 90). The Demetra family becomes more complete to satisfy all the needs of different application fields with flexible and comprehensive solutions, as well as with specific and dedicated ones.

AUSWAHL

LED

White

ARTIKELNUMMER

1739020A

Lichtverteilung

IP20

Dimmable

TECHNISCHES DATENBLATT

FUNKTIONEN

Produktname: Demetra Professional Wall - Body White
 Artikelnummer: 1739020A
 Farbe: White
 Material: Aluminium, technopolymer
 Serie: Design
 Anwendungsbereich: Innenbeleuchtung

OPTIK

Lichtverteilung: Direct

DIMENSION

Breite: cm 63.5
 Höhe: cm 63.7
 Durchmesser Fuß: cm 13
 Glühdrahttest: 750 °

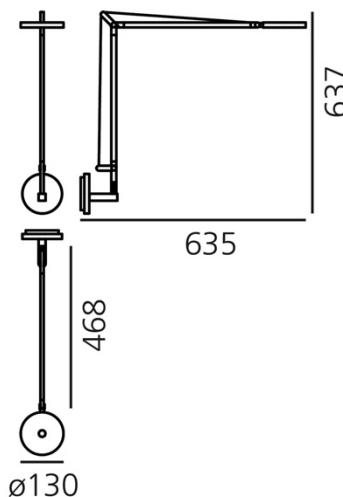
INKLUSIVE LEUCHTMITTEL

Kategorie: LED COB
 Anzahl: 1
 Watt: 12 W
 Farbtemperatur(K): 3000 K
 Baureihe: A

LUMINAIR

Watt: 12W
 Lichtstrom(lm): 960lm
 CCT: 3000K
 Efficiency: 84%

DIMENSION



FARBE



Efficacy:	80.00lm/W
CRI:	90
Dimmer Typology:	Microswitch Dimmer

ZUBEHÖR



DEMETRA SUPPORTO W BCO
1742020A

Demetra Professional Wall with Movement Detector - Body Grey



DESIGN:

Naoto Fukasawa

MATERIAL:

Aluminium, technopolymer

BESCHREIBUNG:

The Demetra family is expanded with two new versions to meet varying usage requirements: Demetra Micro and Demetra Professional. While flow emission varies in Demetra Professional, its size is identical to the classical version. It was designed to address the need for a task light with greater flows allowing to obtain high illuminance on the working top. With the advanced LED technology and the adoption of smart elementary solutions, maximum performance is ensured in a minimal product. Its look is the typical essential and linear one of Demetra, but its head is a more complex optical device, designed for more powerful LEDs also through painstaking study of thermal science. The aluminium bottom of the head's body works as a heatsink by taking shape and folding inside the head to accommodate the LED, however without contact and therefore without creating a heat bridge with the top. This allows maximum dissipation, and therefore the use of a high-power COB LED, without affecting its functionality deriving from operation and from direct user relation with the lamp. The top of its head can be safely touched without contact with high temperatures. Emission is controlled by a reflector that slightly protrudes from the head's profile and designs perfect illuminance on the top to create a work station with a high colour yield (Cri 90). The Demetra family becomes more complete to satisfy all the needs of different application fields with flexible and comprehensive solutions, as well as with specific and dedicated ones. Demetra MD: this table model features a Motion Detector option detecting moving objects and people and turning the light on or off accordingly.

AUSWAHL

LED

Grey

ARTIKELNUMMER

1740010A

Lichtverteilung

IP20

Dimmable

TECHNISCHES DATENBLATT

FUNKTIONEN

Produktname: Demetra Professional Wall with Movement Detector - Body Grey
 Artikelnummer: 1740010A
 Farbe: Grey
 Material: Aluminium, technopolymer
 Serie: Design
 Anwendungsbereich: Innenbeleuchtung

OPTIK

Lichtverteilung: Direct

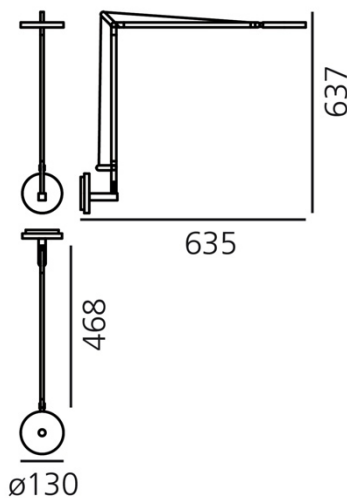
DIMENSION

Breite: cm 63.5
 Höhe: cm 63.7
 Durchmesser Fuß: cm 13
 Glühdrahttest: 750 °

INKLUSIVE LEUCHTMITTEL

Kategorie: LED COB
 Anzahl: 1
 Watt: 12 W
 Farbtemperatur(K): 3000 K
 Baureihe: A

DIMENSION



FARBE



Watt:	12W
Lichtstrom(lm):	960lm
CCT:	3000K
Efficiency:	84%
Efficacy:	80.00lm/W
CRI:	90
Dimmer Typology:	Microswitch Dimmer

ZUBEHÖR



DEMETRA SUPPORTO W GRO
1742010A

Demetra Professional Wall with Movement Detector - Body Polished black



DESIGN:

Naoto Fukasawa

MATERIAL:

Aluminium, technopolymer

BESCHREIBUNG:

The Demetra family is expanded with two new versions to meet varying usage requirements: Demetra Micro and Demetra Professional. While flow emission varies in Demetra Professional, its size is identical to the classical version. It was designed to address the need for a task light with greater flows allowing to obtain high illuminance on the working top. With the advanced LED technology and the adoption of smart elementary solutions, maximum performance is ensured in a minimal product. Its look is the typical essential and linear one of Demetra, but its head is a more complex optical device, designed for more powerful LEDs also through painstaking study of thermal science. The aluminium bottom of the head's body works as a heatsink by taking shape and folding inside the head to accommodate the LED, however without contact and therefore without creating a heat bridge with the top. This allows maximum dissipation, and therefore the use of a high-power COB LED, without affecting its functionality deriving from operation and from direct user relation with the lamp. The top of its head can be safely touched without contact with high temperatures. Emission is controlled by a reflector that slightly protrudes from the head's profile and designs perfect illuminance on the top to create a work station with a high colour yield (Cri 90). The Demetra family becomes more complete to satisfy all the needs of different application fields with flexible and comprehensive solutions, as well as with specific and dedicated ones. Demetra MD: this table model features a Motion Detector option detecting moving objects and people and turning the light on or off accordingly.

AUSWAHL

LED

Polished black

ARTIKELNUMMER

1740040A

Lichtverteilung

IP20

Dimmable

TECHNISCHES DATENBLATT

FUNKTIONEN

Produktname: Demetra Professional Wall with Movement Detector - Body Polished black
 Artikelnummer: 1740040A
 Farbe: Polished black
 Material: Aluminium, technopolymer
 Serie: Design
 Anwendungsbereich: Innenbeleuchtung

OPTIK

Lichtverteilung: Direct

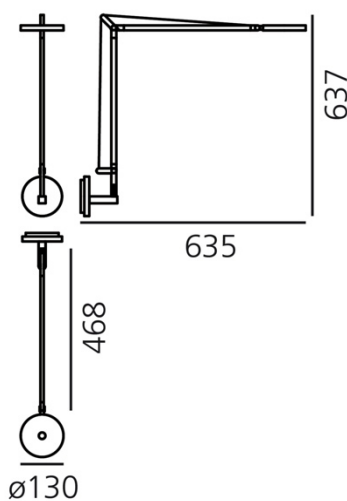
DIMENSION

Breite: cm 63.5
 Höhe: cm 63.7
 Durchmesser Fuß: cm 13
 Glühdrahttest: 750 °

INKLUSIVE LEUCHTMITTEL

Kategorie: LED COB
 Anzahl: 1
 Watt: 12 W
 Farbtemperatur(K): 3000 K
 Baureihe: A

DIMENSION



FARBE



Watt:	12 W
Lichtstrom(lm):	960 lm
CCT:	3000 K
Efficiency:	84 %
Efficacy:	80 lm/W
CRI:	90
Dimmer Typology:	Microswitch Dimmer

ZUBEHÖR



Demetra Supporto W NRO
1742040A

Demetra Professional Wall with Movement Detector - Body White



DESIGN:

Naoto Fukasawa

MATERIAL:

Aluminium, technopolymer

BESCHREIBUNG:

The Demetra family is expanded with two new versions to meet varying usage requirements: Demetra Micro and Demetra Professional. While flow emission varies in Demetra Professional, its size is identical to the classical version. It was designed to address the need for a task light with greater flows allowing to obtain high illuminance on the working top. With the advanced LED technology and the adoption of smart elementary solutions, maximum performance is ensured in a minimal product. Its look is the typical essential and linear one of Demetra, but its head is a more complex optical device, designed for more powerful LEDs also through painstaking study of thermal science. The aluminium bottom of the head's body works as a heatsink by taking shape and folding inside the head to accommodate the LED, however without contact and therefore without creating a heat bridge with the top. This allows maximum dissipation, and therefore the use of a high-power COB LED, without affecting its functionality deriving from operation and from direct user relation with the lamp. The top of its head can be safely touched without contact with high temperatures. Emission is controlled by a reflector that slightly protrudes from the head's profile and designs perfect illuminance on the top to create a work station with a high colour yield (Cri 90). The Demetra family becomes more complete to satisfy all the needs of different application fields with flexible and comprehensive solutions, as well as with specific and dedicated ones. Demetra MD: this table model features a Motion Detector option detecting moving objects and people and turning the light on or off accordingly.

AUSWAHL

LED

White

ARTIKELNUMMER

1740020A

Lichtverteilung

IP20

Dimmable

TECHNISCHES DATENBLATT

FUNKTIONEN

Produktname: Demetra Professional Wall with Movement Detector - Body White
 Artikelnummer: 1740020A
 Farbe: White
 Material: Aluminium, technopolymer
 Serie: Design
 Anwendungsbereich: Innenbeleuchtung

OPTIK

Lichtverteilung: Direct

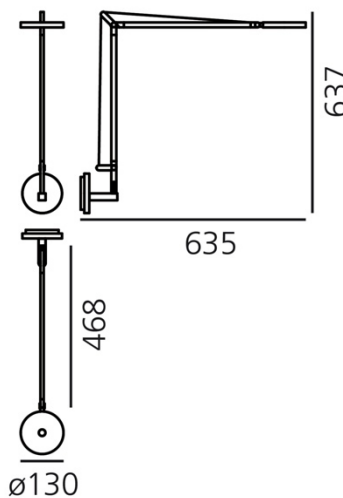
DIMENSION

Breite: cm 63.5
 Höhe: cm 63.7
 Durchmesser Fuß: cm 13
 Glühdrahttest: 750 °

INKLUSIVE LEUCHTMITTEL

Kategorie: LED COB
 Anzahl: 1
 Watt: 12 W
 Farbtemperatur(K): 3000 K
 Baureihe: A

DIMENSION



FARBE



Watt:	12W
Lichtstrom(lm):	960lm
CCT:	3000K
Efficiency:	84%
Efficacy:	80.00lm/W
CRI:	90
Dimmer Typology:	Microswitch Dimmer

ZUBEHÖR



DEMETRA SUPPORTO W BCO
1742020A