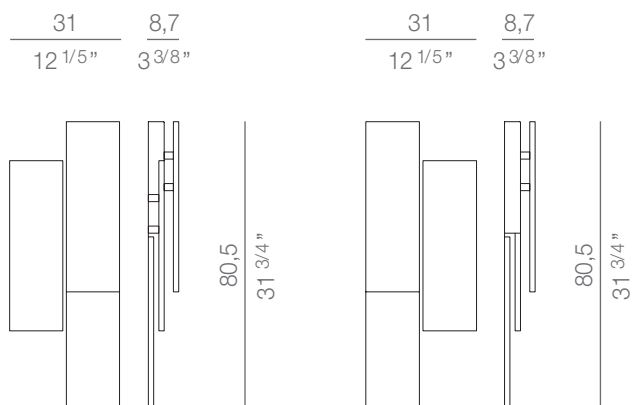


## Klang | Suono



luminaire	
materials	steel, UHPC concrete, polymethylmethacrylate
environment	interiors
mounting location	wall
emission	indirect light
weight	9,5 kg
voltage	230V
ballast	integrated electronic dimmable
dimming	phase-cut
insulation class	1
IP classification	IP20
certifications	CE
design	Christiane Beer, 2014

### finish

white  
cod 430

light source	
source	LED
number of LED	2
power	2 x 13W
luminous flux	2 x 1.400 lm
colour temperature	2.800 K
CRI	≥ 80
energy label	

