

Castore Table 14 (E14)



IP20      

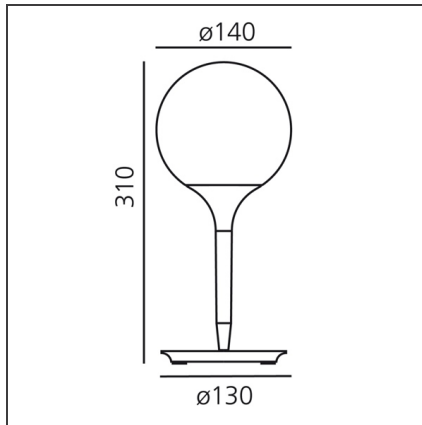
DESIGN

Michele De Lucchi, Huub Ubbens

BESCHREIBUNG

Tischleuchte, passend zu den Steh- und Pendelleuchten der Familie. In vier Größen erhältlich. Materialien: Deckenrose und Stab aus thermoplastischem Harz; Schirm aus mundgeblasenem Glas. Diffuse Lichtverteilung.

TECHNISCHE ZEICHNUNGEN



FUNKTIONEN

Artikelnummer:	1044110A	Material:	Zamak, polycarbonate, blown glass
Farbe:	weiß	Serie:	Design
Installation:	Tischleuchte	Einsatzbereich:	Hospitality, Retail, Residential
Anwendungsbereich:	Innenbeleuchtung	Lichtverteilung:	diffus

DIMENSION

Höhe:	cm 31	Glühdrattest:	750
Durchmesser Fuß:	cm 13		

LICHTQUELLEN NICHT ENTHALTEN

Kategorie:	LED
Anzahl:	1
Watt:	4W
Typ:	2
Sockel:	E14

LUMINAIRE

Watt:	4W
Spannung (V):	220V-240V

Luminaire

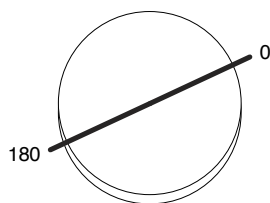
Code 1050010A
Name CASTORE TAVOLO 250

Measur.

Code FTS0002073
Name CASTORE TAVOLO 250

Efficiency	80.67%	Coordinate system	CG	Total Flux	1800.00 lm
Maximum value	72.60 cd/klm	Position	C=0.00 G=125.00	Rotosymmetrical	
Round Luminaire Round Luminous Area	Diam. Diam.	250 mm 250 mm	Height Height	250 mm 250 mm	
Horizontal Luminous Area Emitting area on Plane 0° Emitting area on Plane 90°	0.049087 m2 0.062500 m2 0.062500 m2		Emitting area on Plane 180° Emitting area on Plane 270° Glare area at 76°	0.062500 m2 0.062500 m2 0.072519 m2	
Date Measurement Distance	11-11-2014 0.00		Maximum Gamma Angle Measurement Flux	180 1800.00 lm	
64401					
C.I.E. F UTE	18 43 70 44 81 0.36 J + 0.45 T		D DIN 5040 B NBN	C12 BZ 9	

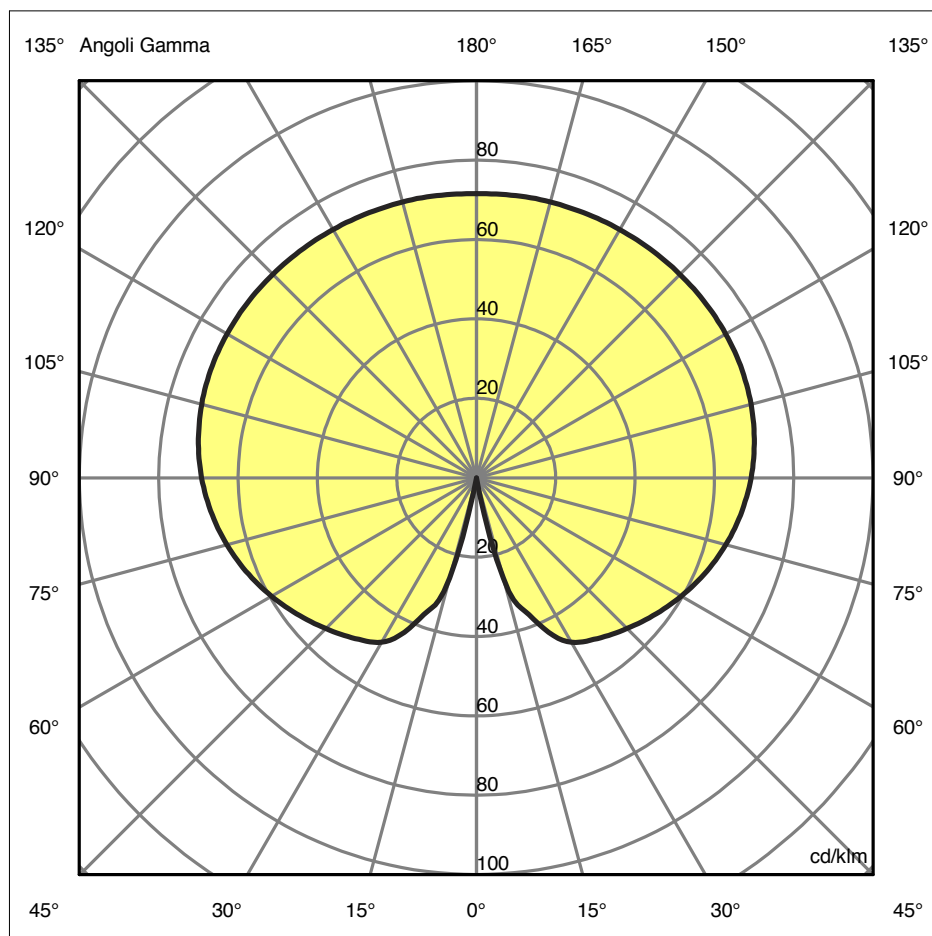
Diam=250mm



Semipiani C

180.0 ——— 0.0

ULOR 45.15 %
DLOR 35.52 %
RN 55.97 %



Luminaire

Code 1050010A
Name CASTORE TAVOLO 250

Measurem.

Code FTS0002073
Name CASTORE TAVOLO 250

Efficiency	80.67%	Coordinate system	CG	Total Flux	1800.00 lm
Maximum value	72.60 cd/klm	Position	C=0.00 G=125.00	Rotosymmetrical	
Round Luminaire	Diam.	250 mm	Height	250 mm	
Round Luminous Area	Diam.	250 mm	Height	250 mm	
Horizontal Luminous Area	0.049087 m2	Emitting area on Plane 180°		0.062500 m2	
Emitting area on Plane 0°	0.062500 m2	Emitting area on Plane 270°		0.062500 m2	
Emitting area on Plane 90°	0.062500 m2	Glare area at 76°		0.072519 m2	
Date	11-11-2014	Maximum Gamma Angle		180	
Measurement Distance	0.00	Measurement Flux		1800.00 lm	
64401					
C.I.E.	18 43 70 44 81	D DIN 5040		C12	
F UTE	0.36 J + 0.45 T	B NBN		BZ 9	

Apertura a destra non trovata, gamma =54

Apertura a destra non trovata, gamma =54

Luminaire

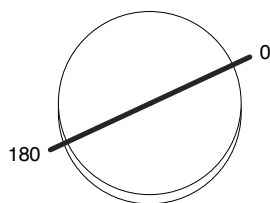
Code 1049010A
Name CASTORE TAVOLO 350

Measur.

Code FTS0002072
Name CASTORE TAVOLO 350

Efficiency	84.71%	Coordinate system	CG	Total Flux	2870.00 lm
Maximum value	72.47 cd/klm	Position	C=0.00 G=165.00	Rotosymmetrical	
Round Luminaire	Diam. 350 mm	Height	350 mm		
Round Luminous Area	Diam. 350 mm	Height	350 mm		
Horizontal Luminous Area	0.096211 m ²	Emitting area on Plane 180°	0.122500 m ²		
Emitting area on Plane 0°	0.122500 m ²	Emitting area on Plane 270°	0.122500 m ²		
Emitting area on Plane 90°	0.122500 m ²	Glare area at 76°	0.142137 m ²		
Date	11-11-2014	Maximum Gamma Angle	180		
Measurement Distance	0.00	Measurement Flux	2870.00 lm		
64402					
C.I.E.	20 45 72 46 85	D DIN 5040	C12		
F UTE	0.39 J + 0.45 T	B NBN	BZ 9		

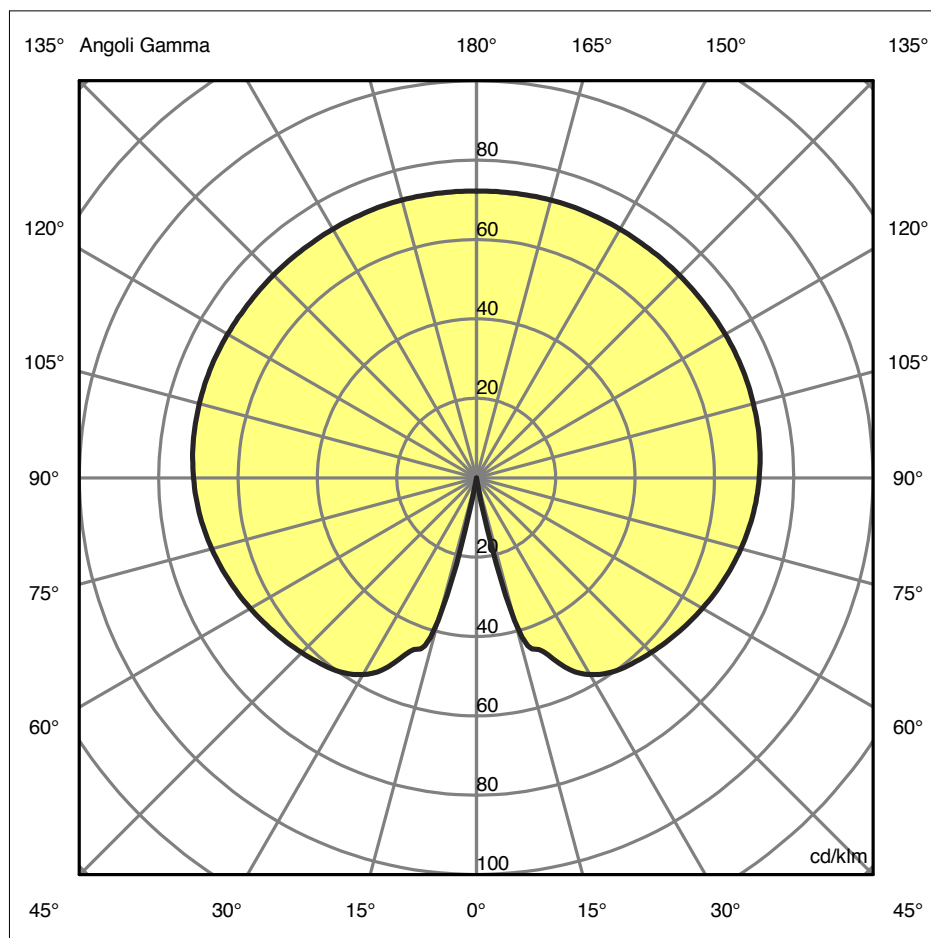
Diam=350mm



Semipiani C

180.0 ——— 0.0

ULOR 45.37 %
DLOR 39.34 %
RN 53.56 %



Luminaire

Code 1049010A
Name CASTORE TAVOLO 350

Measur.

Code FTS0002072
Name CASTORE TAVOLO 350

Efficiency	84.71%	Coordinate system	CG	Total Flux	2870.00 lm
Maximum value	72.47 cd/klm	Position	C=0.00 G=165.00	Rotosymmetrical	
Round Luminaire	Diam.	350 mm	Height	350 mm	
Round Luminous Area	Diam.	350 mm	Height	350 mm	
Horizontal Luminous Area	0.096211 m2	Emitting area on Plane 180°		0.122500 m2	
Emitting area on Plane 0°	0.122500 m2	Emitting area on Plane 270°		0.122500 m2	
Emitting area on Plane 90°	0.122500 m2	Glare area at 76°		0.142137 m2	
Date	11-11-2014	Maximum Gamma Angle		180	
Measurement Distance	0.00	Measurement Flux		2870.00 lm	
64402					
C.I.E.	20 45 72 46 85	D DIN 5040		C12	
F UTE	0.39 J + 0.45 T	B NBN		BZ 9	

Apertura a destra non trovata, gamma =18

Apertura a destra non trovata, gamma =18