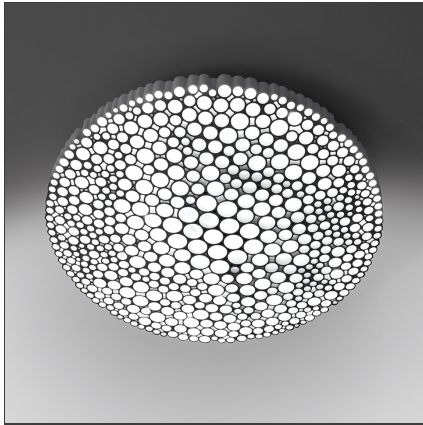






## Calipso 2700K - App Compatible



IP20    Dimmbar: 

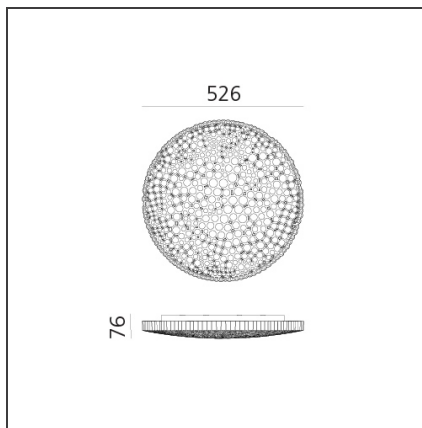
### DESIGN

Neil Poulton

### BESCHREIBUNG

The unique honeycomb grill of Calipso was generated by feeding a photo of the moon into an image-based algorithm found on a seemingly extinct computer. The resulting fractal shape, an impure geometry that displays the irregular beauty of nature, is built from an organic honeycomb of different diameter tubes, seemingly arranged in a random geometry. This honeycomb characterizes the lamp both aesthetically and optically - not only is it visually pleasing, but it also provides an even and comfortable light emission. The result is a highly emotional lighting object that joins together optical and aesthetic intelligence. A product positioned perfectly half-way between home and professional use, Calipso is suited to a variety of applications - expressing Artemide's traditional approach to deliver high performance lighting with a unique and emotional expressiveness.

### TECHNISCHE ZEICHNUNGEN



### FUNKTIONEN

|                           |                               |                         |                               |
|---------------------------|-------------------------------|-------------------------|-------------------------------|
| <b>Artikelnummer:</b>     | 0210W10APP                    | <b>Material:</b>        | Tecnopolymer                  |
| <b>Farbe:</b>             | White                         | <b>Serie:</b>           | Design, 2018                  |
| <b>Installation:</b>      | Wandleuchte,<br>Deckenleuchte | <b>Lichtverteilung:</b> | Artemide Collection<br>Direct |
| <b>Anwendungsbereich:</b> | Innenbeleuchtung              |                         |                               |

### DIMENSION

|                |        |                       |     |
|----------------|--------|-----------------------|-----|
| <b>Breite:</b> | cm 7.6 | <b>Glühdrahttest:</b> | 650 |
|----------------|--------|-----------------------|-----|

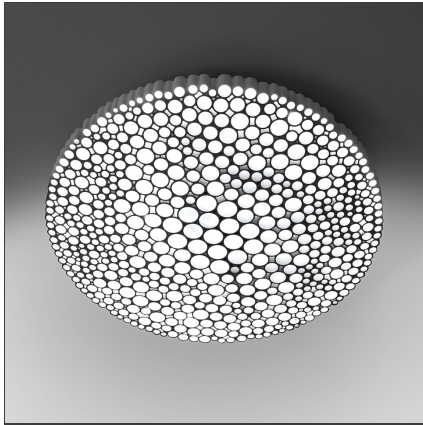
### INKLUSIVE LEUCHTMITTEL




|                         |        |                           |               |
|-------------------------|--------|---------------------------|---------------|
| <b>Kategorie:</b>       | LED    | <b>Farbtemperatur(K):</b> | 2700K         |
| <b>Anzahl:</b>          | 4      | <b>Color Tolerance:</b>   | MacAdam 3SDCM |
| <b>Watt:</b>            | 10.8W  | <b>CRI:</b>               | 90            |
| <b>Lichtstrom (lm):</b> | 1214lm | <b>Efficacy:</b>          | 112lm/W       |
| <b>Typ:</b>             | 0      | <b>Service Life:</b>      | 50000-L70     |
| <b>Class:</b>           | A      |                           |               |

### LUMINAIRE

|                      |          |                           |           |
|----------------------|----------|---------------------------|-----------|
| <b>Watt:</b>         | 55W      | <b>Lichtstrom (lm):</b>   | 2884lm    |
| <b>Spannung (V):</b> | 220-240V | <b>CCT:</b>               | 2700K     |
|                      |          | <b>Efficiency:</b>        | 56%       |
|                      |          | <b>Efficacy:</b>          | 52.43lm/W |
|                      |          | <b>CRI:</b>               | 90        |
|                      |          | <b>Dimmable Typology:</b> | Push      |

# Calipso 2700K



IP20   CE Dimmbar: 

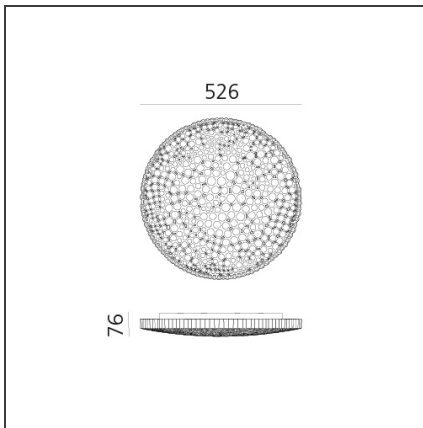
## DESIGN

Neil Poulton

## BESCHREIBUNG

The unique honeycomb grill of Calipso was generated by feeding a photo of the moon into an image-based algorithm found on a seemingly extinct computer. The resulting fractal shape, an impure geometry that displays the irregular beauty of nature, is built from an organic honeycomb of different diameter tubes, seemingly arranged in a random geometry. This honeycomb characterizes the lamp both aesthetically and optically - not only is it visually pleasing, but it also provides an even and comfortable light emission. The result is a highly emotional lighting object that joins together optical and aesthetic intelligence. A product positioned perfectly half-way between home and professional use, Calipso is suited to a variety of applications - expressing Artemide's traditional approach to deliver high performance lighting with a unique and emotional expressiveness.

## TECHNISCHE ZEICHNUNGEN



## FUNKTIONEN

|                           |                               |                         |                               |
|---------------------------|-------------------------------|-------------------------|-------------------------------|
| <b>Artikelnummer:</b>     | 0210W10A                      | <b>Material:</b>        | Tecnopolymer                  |
| <b>Farbe:</b>             | White                         | <b>Serie:</b>           | Design, 2018                  |
| <b>Installation:</b>      | Wandleuchte,<br>Deckenleuchte | <b>Lichtverteilung:</b> | Artemide Collection<br>Direct |
| <b>Anwendungsbereich:</b> | Innenbeleuchtung              |                         |                               |

## DIMENSION

|                |        |                       |     |
|----------------|--------|-----------------------|-----|
| <b>Breite:</b> | cm 7.6 | <b>Glühdrahttest:</b> | 650 |
|----------------|--------|-----------------------|-----|

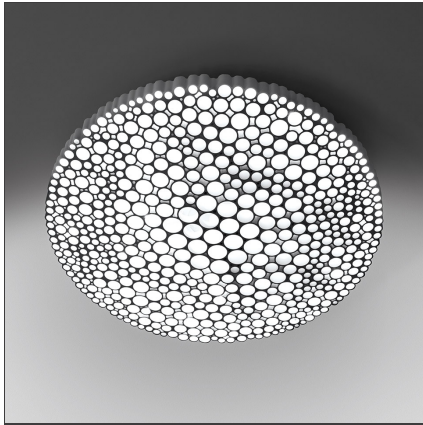
## INKLUSIVE LEUCHTMITTEL

|                         |        |                           |               |
|-------------------------|--------|---------------------------|---------------|
| <b>Kategorie:</b>       | LED    | <b>Farbtemperatur(K):</b> | 2700K         |
| <b>Anzahl:</b>          | 4      | <b>Color Tolerance:</b>   | MacAdam 3SDCM |
| <b>Watt:</b>            | 10.8W  | <b>CRI:</b>               | 90            |
| <b>Lichtstrom (lm):</b> | 1214lm | <b>Efficacy:</b>          | 112lm/W       |
| <b>Typ:</b>             | 0      | <b>Service Life:</b>      | 50000-L70     |
| <b>Class:</b>           | A      |                           |               |

## LUMINAIRE

|                      |          |                           |           |
|----------------------|----------|---------------------------|-----------|
| <b>Watt:</b>         | 55W      | <b>Lichtstrom (lm):</b>   | 2884lm    |
| <b>Spannung (V):</b> | 220-240V | <b>CCT:</b>               | 2700K     |
|                      |          | <b>Efficiency:</b>        | 56%       |
|                      |          | <b>Efficacy:</b>          | 52.43lm/W |
|                      |          | <b>CRI:</b>               | 90        |
|                      |          | <b>Dimmable Typology:</b> | Push      |

# Calipso 3000K



IP20 Dimmbar: + -

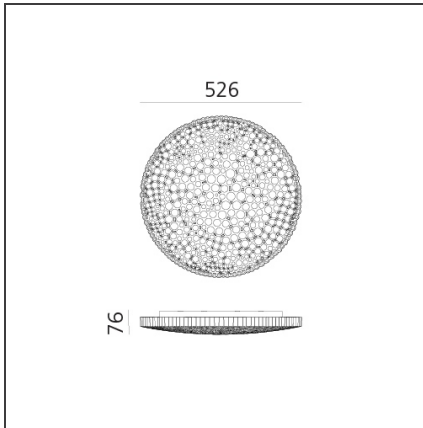
## DESIGN

Neil Poulton

## BESCHREIBUNG

The unique honeycomb grill of Calipso was generated by feeding a photo of the moon into an image-based algorithm found on a seemingly extinct computer. The resulting fractal shape, an impure geometry that displays the irregular beauty of nature, is built from an organic honeycomb of different diameter tubes, seemingly arranged in a random geometry. This honeycomb characterizes the lamp both aesthetically and optically - not only is it visually pleasing, but it also provides an even and comfortable light emission. The result is a highly emotional lighting object that joins together optical and aesthetic intelligence. A product positioned perfectly half-way between home and professional use, Calipso is suited to a variety of applications - expressing Artemide's traditional approach to deliver high performance lighting with a unique and emotional expressiveness.

## TECHNISCHE ZEICHNUNGEN



## FUNKTIONEN

|                           |                               |                         |                               |
|---------------------------|-------------------------------|-------------------------|-------------------------------|
| <b>Artikelnummer:</b>     | 0210010A                      | <b>Material:</b>        | Tecnopolymer                  |
| <b>Farbe:</b>             | White                         | <b>Serie:</b>           | Design, 2018                  |
| <b>Installation:</b>      | Wandleuchte,<br>Deckenleuchte | <b>Lichtverteilung:</b> | Artemide Collection<br>Direct |
| <b>Anwendungsbereich:</b> | Innenbeleuchtung              |                         |                               |

## DIMENSION

|                |        |                       |     |
|----------------|--------|-----------------------|-----|
| <b>Breite:</b> | cm 7.6 | <b>Glühdrahttest:</b> | 650 |
|----------------|--------|-----------------------|-----|

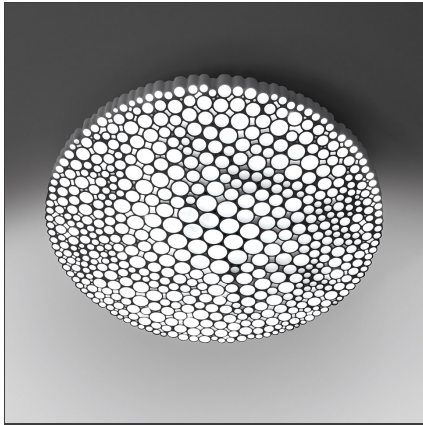
## INKLUSIVE LEUCHTMITTEL





|                         |        |                           |               |
|-------------------------|--------|---------------------------|---------------|
| <b>Kategorie:</b>       | LED    | <b>Farbtemperatur(K):</b> | 3000K         |
| <b>Anzahl:</b>          | 4      | <b>Color Tolerance:</b>   | MacAdam 3SDCM |
| <b>Watt:</b>            | 10.8W  | <b>CRI:</b>               | 90            |
| <b>Lichtstrom (lm):</b> | 1214lm | <b>Efficacy:</b>          | 112lm/W       |
| <b>Typ:</b>             | 0      | <b>Service Life:</b>      | 50000-L70     |

## LUMINAIRE

|                      |          |                           |           |
|----------------------|----------|---------------------------|-----------|
| <b>Watt:</b>         | 55W      | <b>Lichtstrom (lm):</b>   | 2884lm    |
| <b>Spannung (V):</b> | 220-240V | <b>CCT:</b>               | 3000K     |
|                      |          | <b>Efficiency:</b>        | 56%       |
|                      |          | <b>Efficacy:</b>          | 52.43lm/W |
|                      |          | <b>CRI:</b>               | 90        |
|                      |          | <b>Dimmable Typology:</b> | Push      |

# Calipso 3000K - App Compatible



IP20    Dimmbar: 

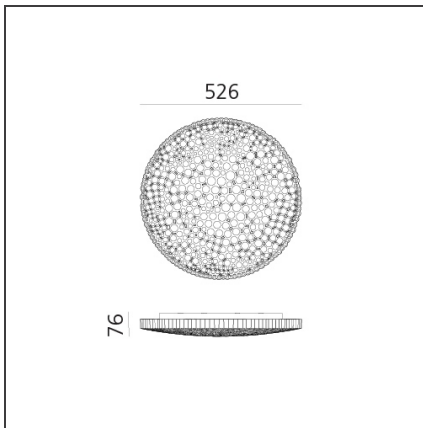
## DESIGN

Neil Poulton

## BESCHREIBUNG

The unique honeycomb grill of Calipso was generated by feeding a photo of the moon into an image-based algorithm found on a seemingly extinct computer. The resulting fractal shape, an impure geometry that displays the irregular beauty of nature, is built from an organic honeycomb of different diameter tubes, seemingly arranged in a random geometry. This honeycomb characterizes the lamp both aesthetically and optically - not only is it visually pleasing, but it also provides an even and comfortable light emission. The result is a highly emotional lighting object that joins together optical and aesthetic intelligence. A product positioned perfectly half-way between home and professional use, Calipso is suited to a variety of applications - expressing Artemide's traditional approach to deliver high performance lighting with a unique and emotional expressiveness.

## TECHNISCHE ZEICHNUNGEN



## FUNKTIONEN

|                           |                               |                         |                               |
|---------------------------|-------------------------------|-------------------------|-------------------------------|
| <b>Artikelnummer:</b>     | 0210010APP                    | <b>Material:</b>        | Tecnopolymer                  |
| <b>Farbe:</b>             | White                         | <b>Serie:</b>           | Design, 2018                  |
| <b>Installation:</b>      | Wandleuchte,<br>Deckenleuchte | <b>Lichtverteilung:</b> | Artemide Collection<br>Direct |
| <b>Anwendungsbereich:</b> | Innenbeleuchtung              |                         |                               |

## DIMENSION

|                |        |                       |     |
|----------------|--------|-----------------------|-----|
| <b>Breite:</b> | cm 7.6 | <b>Glühdrahttest:</b> | 650 |
|----------------|--------|-----------------------|-----|

## INKLUSIVE LEUCHTMITTEL

|                         |        |                           |               |
|-------------------------|--------|---------------------------|---------------|
| <b>Kategorie:</b>       | LED    | <b>Farbtemperatur(K):</b> | 3000K         |
| <b>Anzahl:</b>          | 4      | <b>Color Tolerance:</b>   | MacAdam 3SDCM |
| <b>Watt:</b>            | 10.8W  | <b>CRI:</b>               | 90            |
| <b>Lichtstrom (lm):</b> | 1214lm | <b>Efficacy:</b>          | 112lm/W       |
| <b>Typ:</b>             | 0      | <b>Service Life:</b>      | 50000-L70     |

## LUMINAIRE

|                      |          |                           |           |
|----------------------|----------|---------------------------|-----------|
| <b>Watt:</b>         | 55W      | <b>Lichtstrom (lm):</b>   | 2884lm    |
| <b>Spannung (V):</b> | 220-240V | <b>CCT:</b>               | 3000K     |
|                      |          | <b>Efficiency:</b>        | 56%       |
|                      |          | <b>Efficacy:</b>          | 52.43lm/W |
|                      |          | <b>CRI:</b>               | 90        |
|                      |          | <b>Dimmable Typology:</b> | Push      |